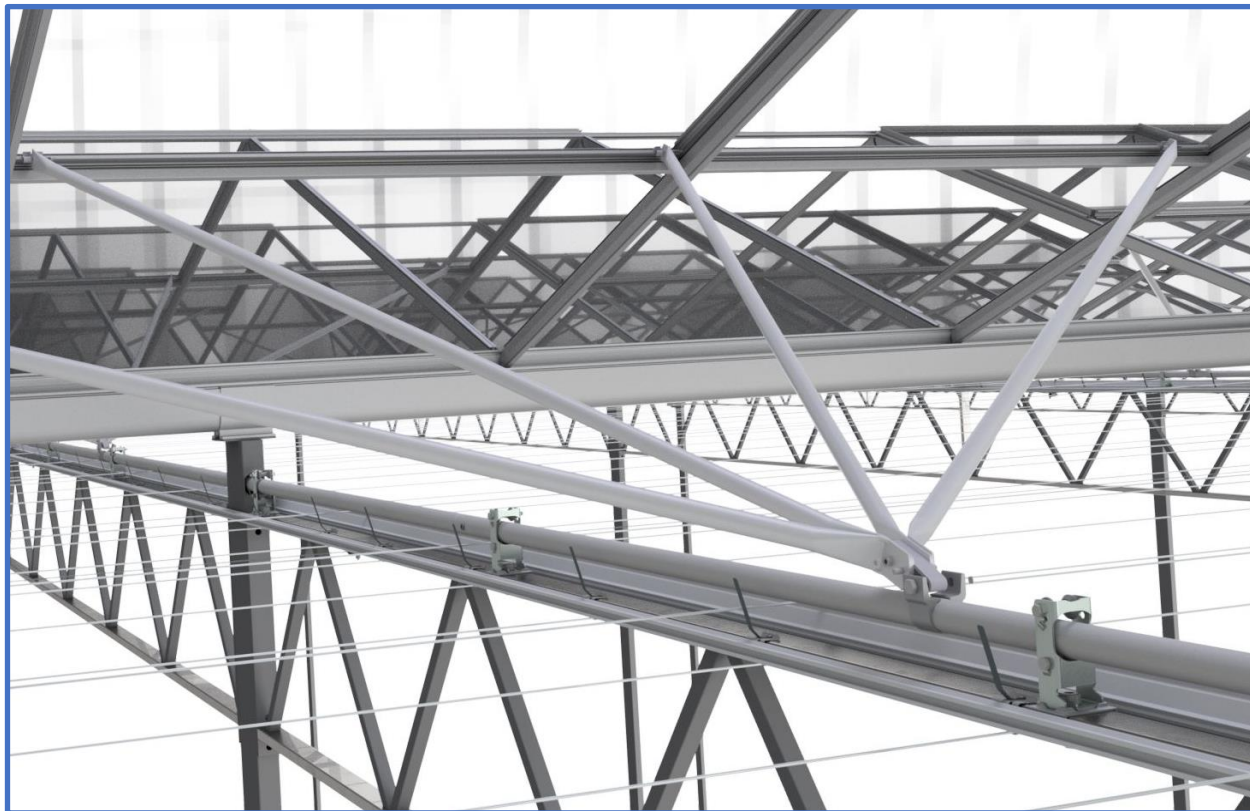


Manual - ValkTrussRail



		page
Table of contents		1
Disclaimer		2
Mounting ValkRailBracket	ValkRailBracket Uni	A1
End Vents	C - Profile	B1 - 2
Mounting ValkDriveShaft	Column - Ridder	C1
Push-Pull Tubes	Push-Pull Tubes - ValkDriveShaft on the Column	D1 - 3
Push Rod Assembly 1	2 Push Rods	E
Push Rod Assembly 2	3 Push Rods	E
Push Rod Assembly 3	4 Push Rods - 2 Bended	E
Mounting of Push Rods on the Vent	Mounting of Push Rods on the Vent	F1
Mounting of ValkStabiMax on the Clamp	Mounting of ValkStabiMax on the Clamp	G1

You have chosen a ValkTrussRail system from Van der Valk horti systems. This is a standard manual, for specific installation drawings, see project drawings and quotation supplied separately.

- * This manual is not project specific.
- * This manual is not legally binding.
- * No right may be derived from this installation manual.
- * Consult the cloth and the drive supplier manual for installation of their products.



If you scan or click this QR-code you will be linked to a youtube movie of the ValkTrussRail with additional explanation.

▶ C - Profile (End Vents)



- 50.78.30 Bay size 3200 mm
- 50.78.35 Bay size 4000 mm
- 50.78.37 Bay size 4267 mm
- 50.78.40 Bay size 4800 mm



41.51.10



53.35.16 M6x16



53.11.30



56.30.70 M6x70



56.30.00 M6



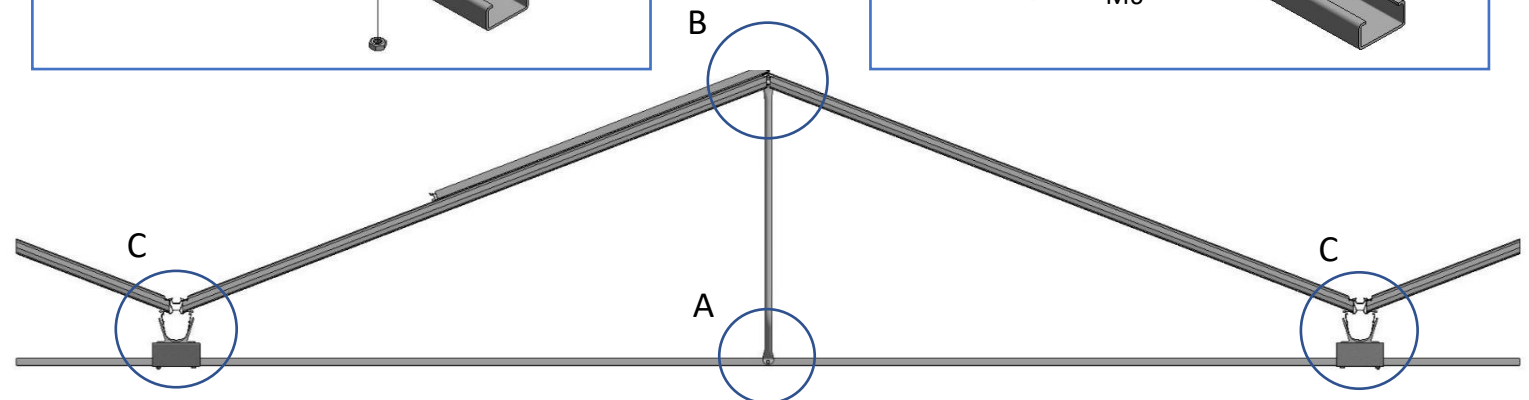
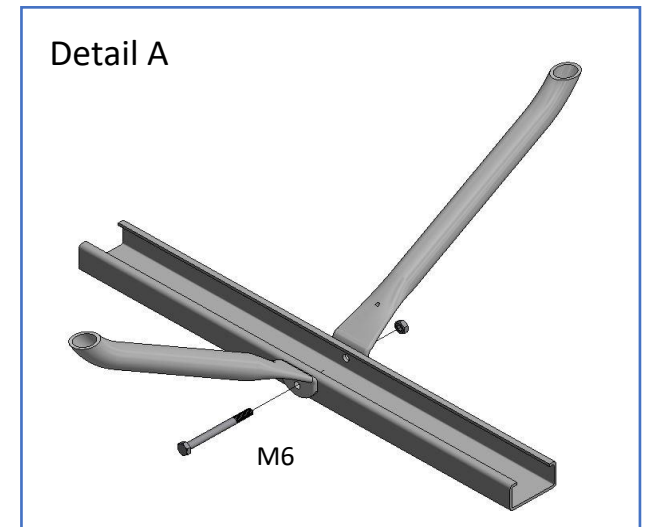
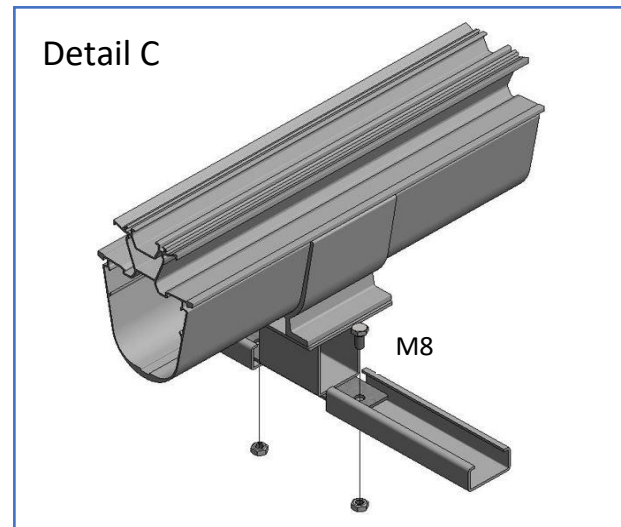
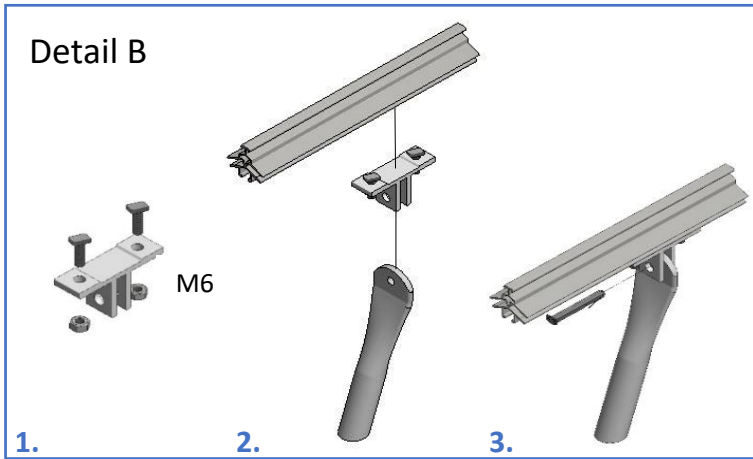
55.40.16 M8x16



55.40.00 M8



(Project Specific)



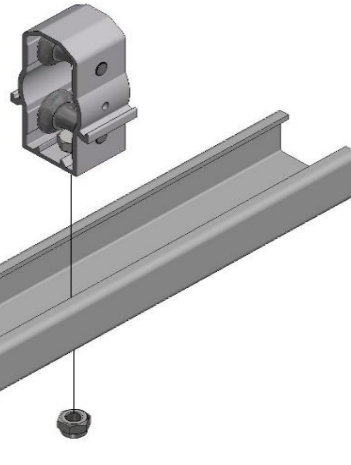


41.24.12 $\varnothing 27$ mm

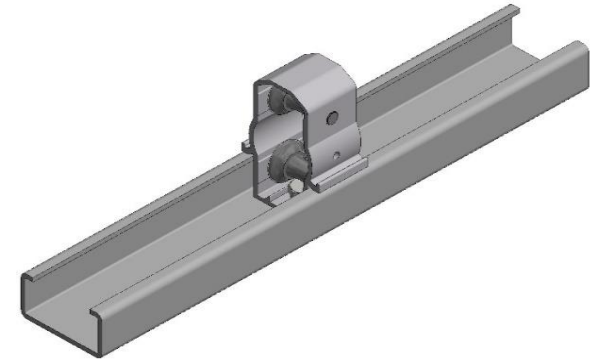


56.40.05 M8

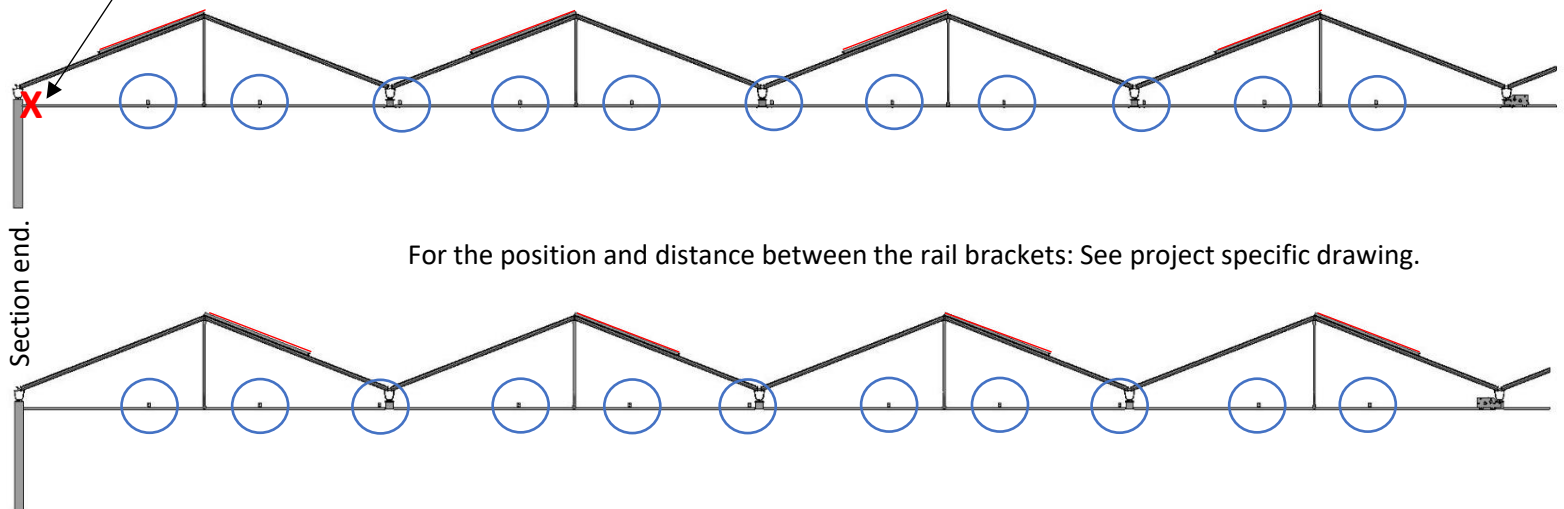
1.

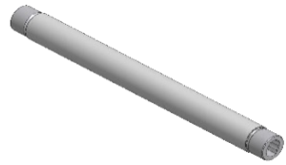


2.

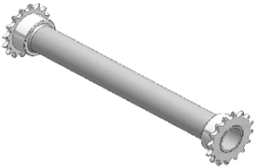


Note: No rail bracket at the section end.

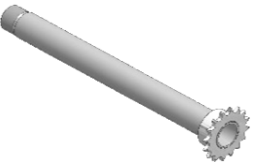




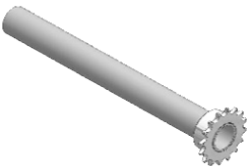
522.03.03.-----
Type A, Rack to rack, 5/4" x 2,5 mm



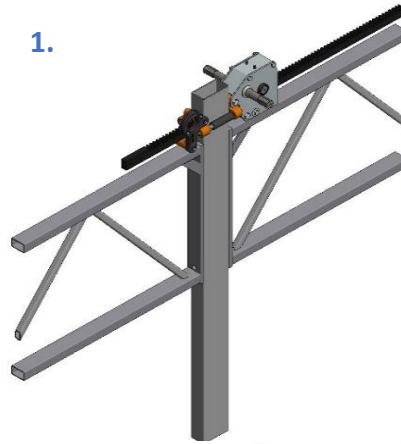
522.15.15.-----
Type B, Motor shaft, 5/4" x 2,5 mm



522.03.15.-----
Type C, Second last section, 5/4" x 2,5 mm

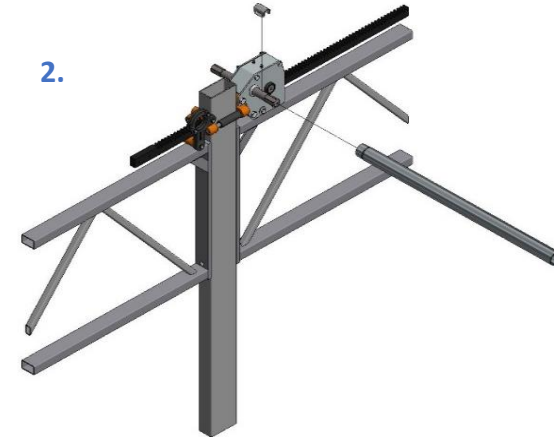


522.15.90.-----
Type D, End section, 5/4" x 2,5 mm

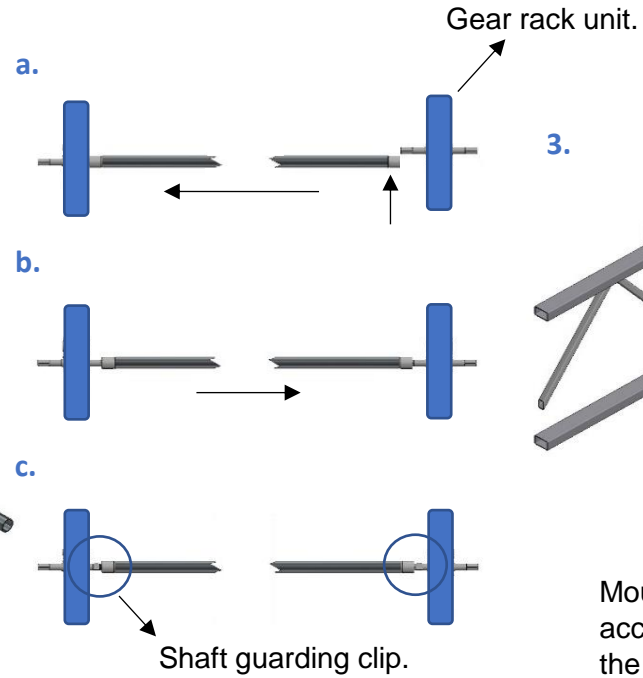


1.

Connect (slide-on) both ends of the drive shaft before mounting the shaft guarding clips.

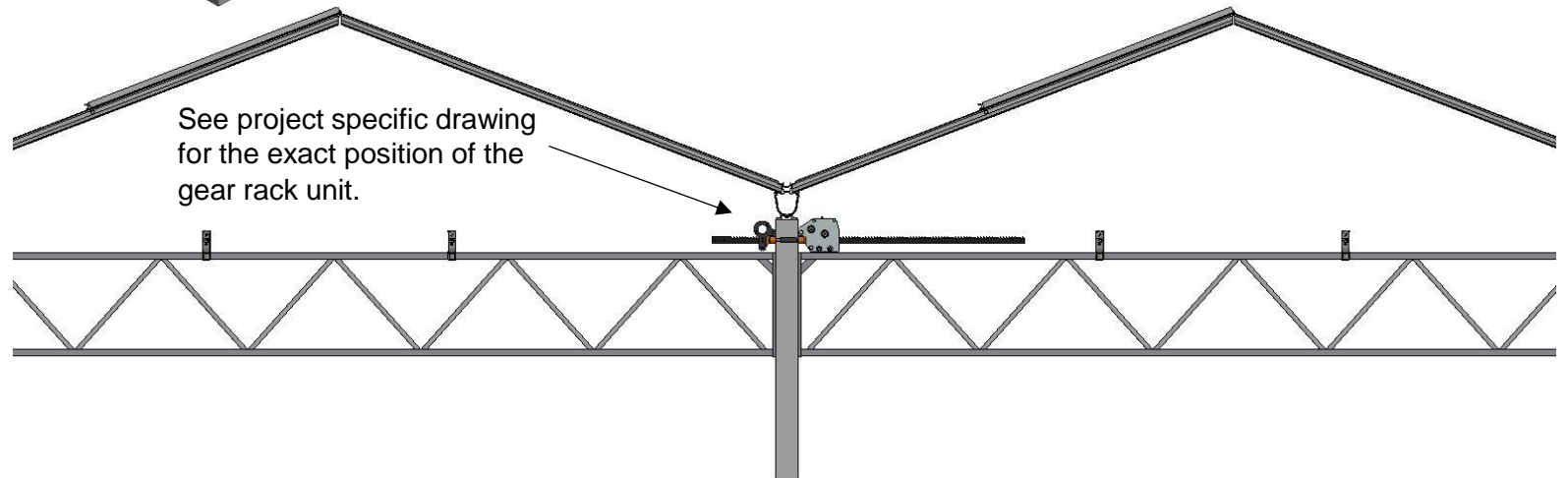


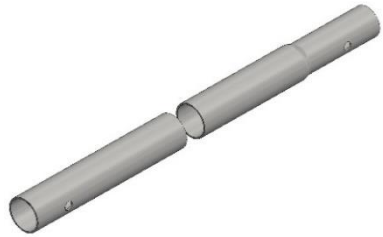
2.



3.

Mount the gear rack unit according to the manual of the drive supplier.





50.15.-- $\varnothing 27 \times 1,5 \text{ mm}$
 50.20.-- $\varnothing 32 \times 1,5 \text{ mm}$
 50.22.-- $\varnothing 32 \times 1,9 \text{ mm}$
 ↑
 (Length center to center)



53.16.27



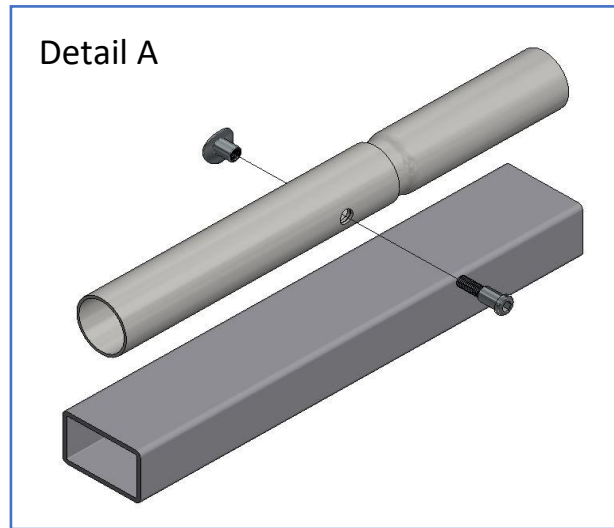
53.15.10



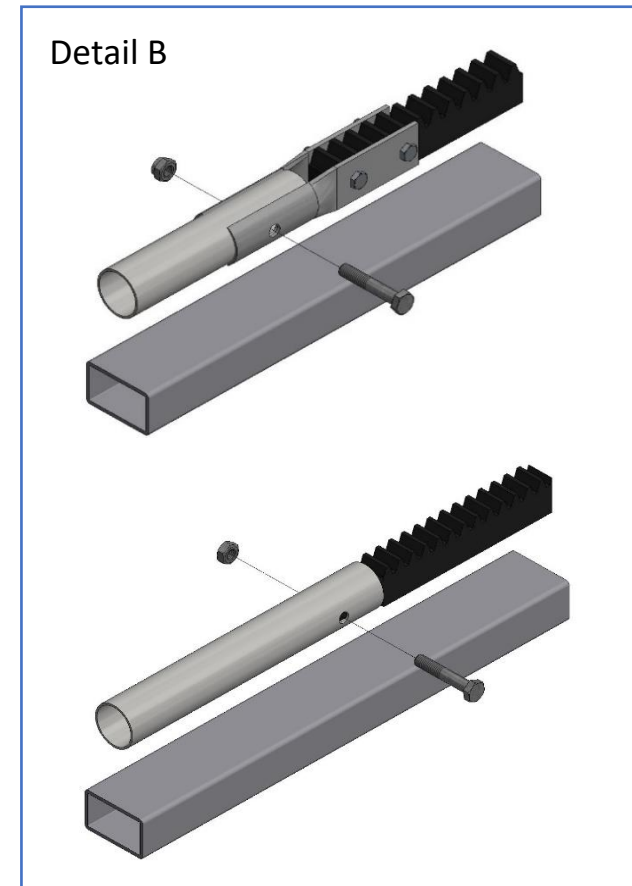
55.40.40 $\varnothing 27 \text{ M}8 \times 40$
 55.40.45 $\varnothing 32 \text{ M}8 \times 45$



55.40.00 M8



Detail A



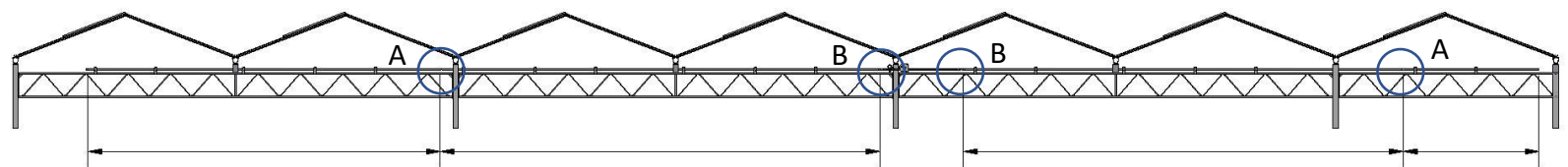
Detail B

Note: The connection between the Push-Pull tubes and the gear rack (in detail B) depends on your drive system supplier.

Tubes with reduced end to the left.



Tubes with reduced end to the right.

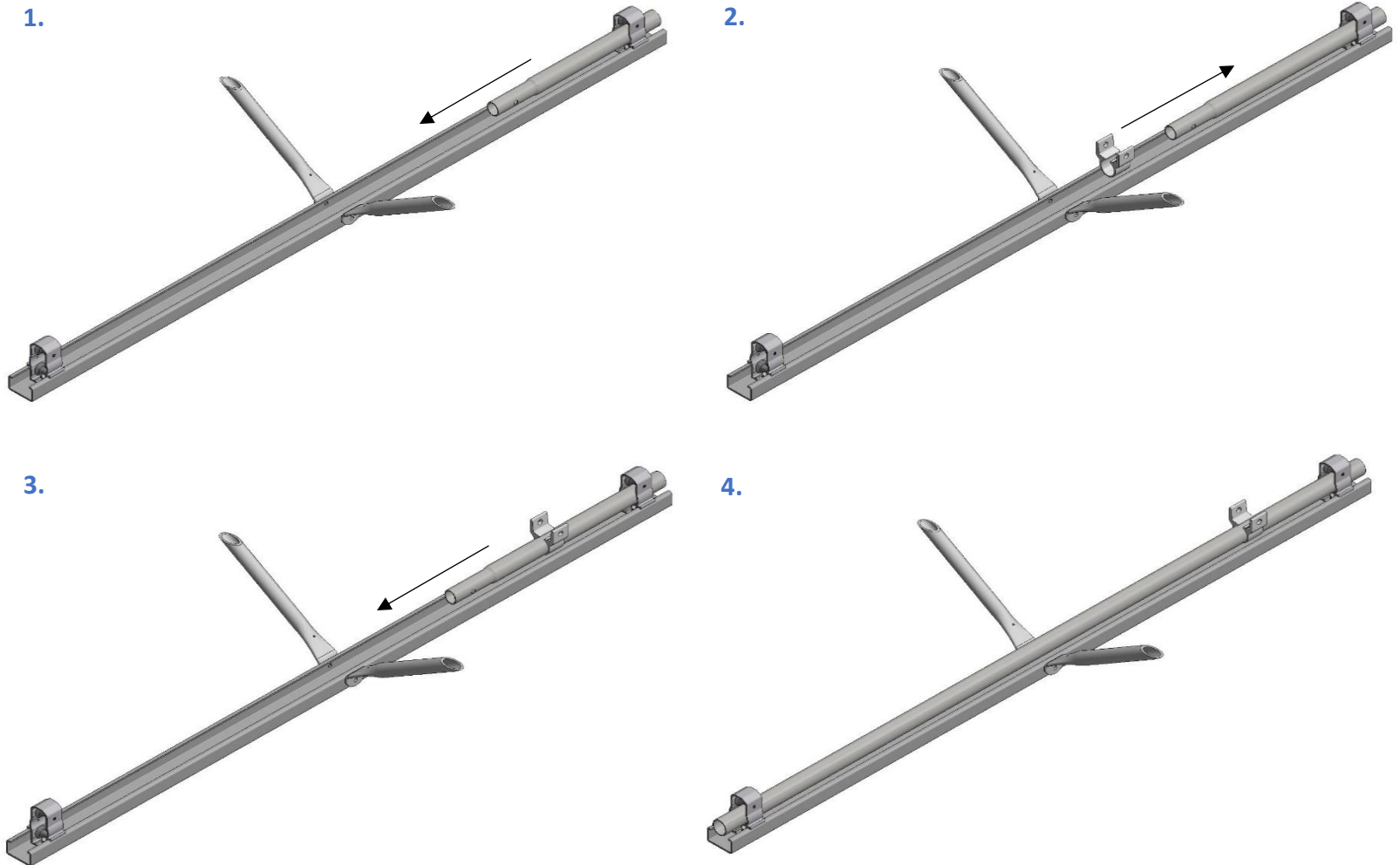


Note: The coupling positions and the length of the Push-Pull tubes are an indication and project specific.

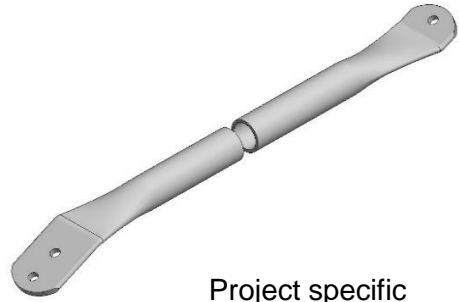


41.10.40 $\varnothing 27$
41.11.40 $\varnothing 32$

String the StabiMax clamp (41.--.40) on the Push-Pull tube before connecting (tightening) the Push-Pull tubes.



Note: Use the same method with the U-profile.



Project specific



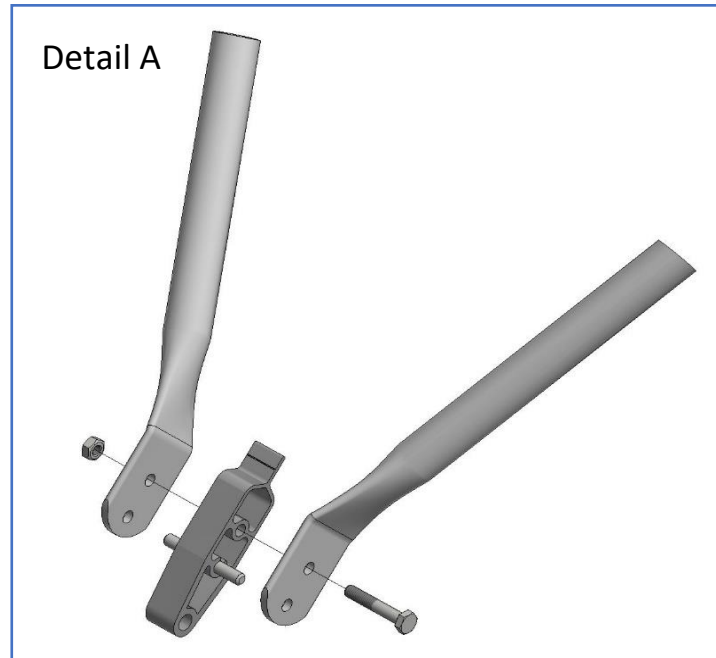
41.16.10



56.30.35 M6x35

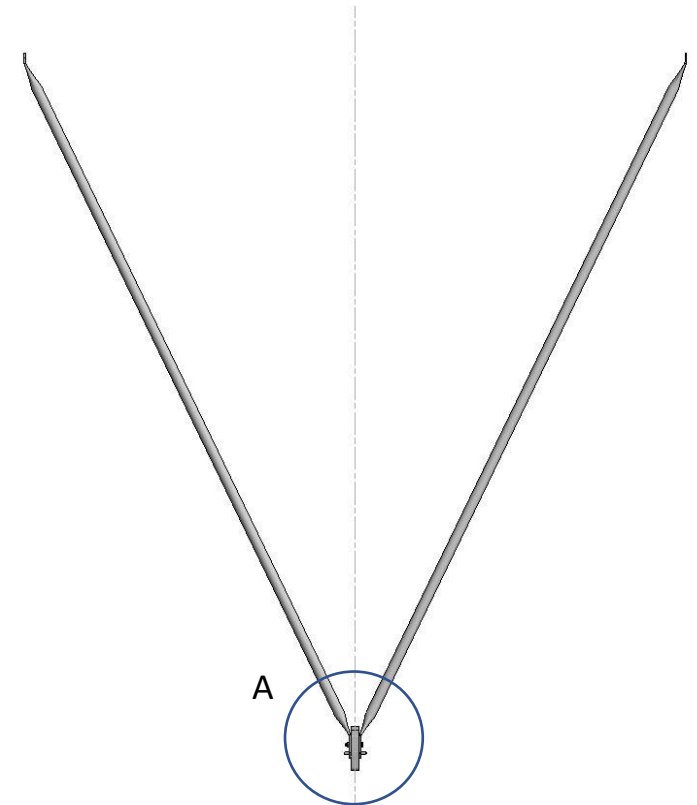


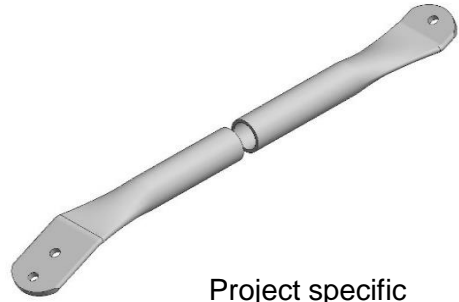
56.30.00 M6



Detail A

Note: See also the project specific drawing for the assembly of the push rod.





Project specific



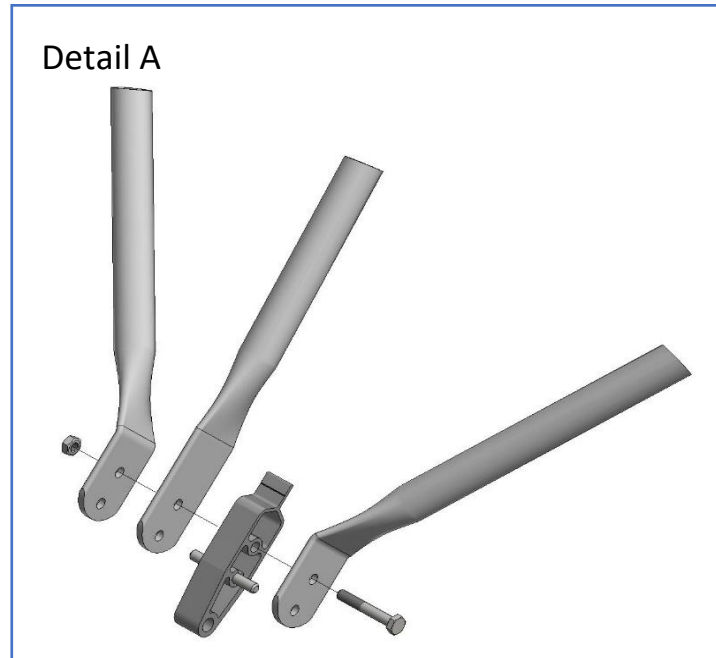
41.16.10



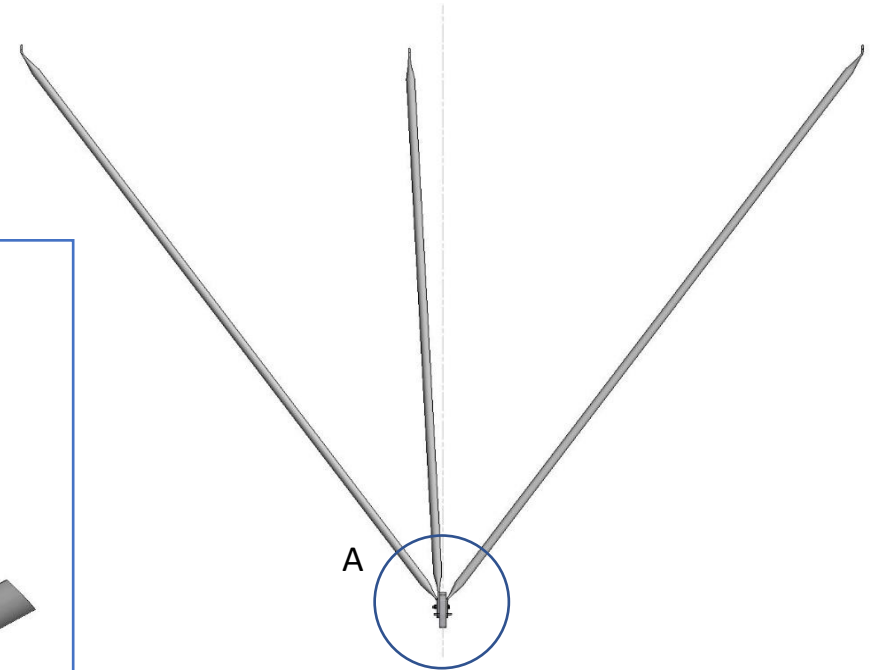
56.30.40 M6x40



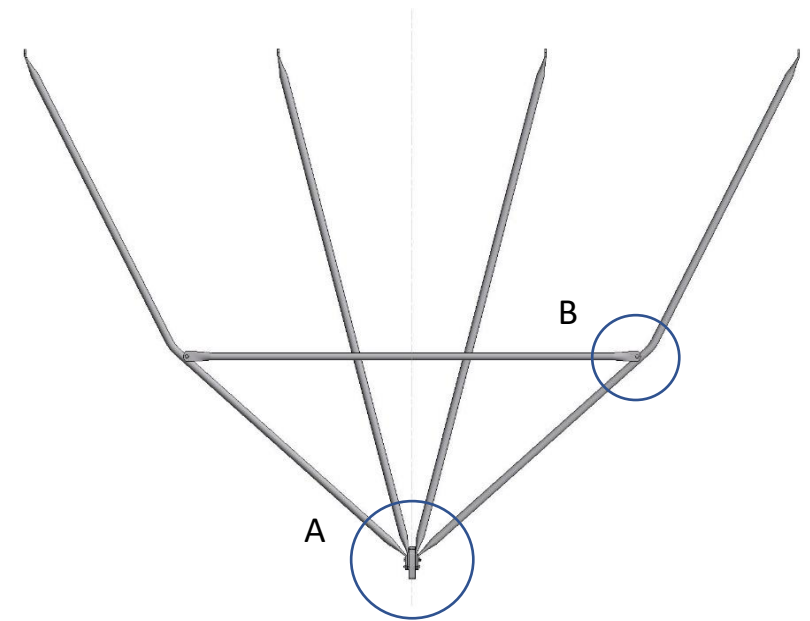
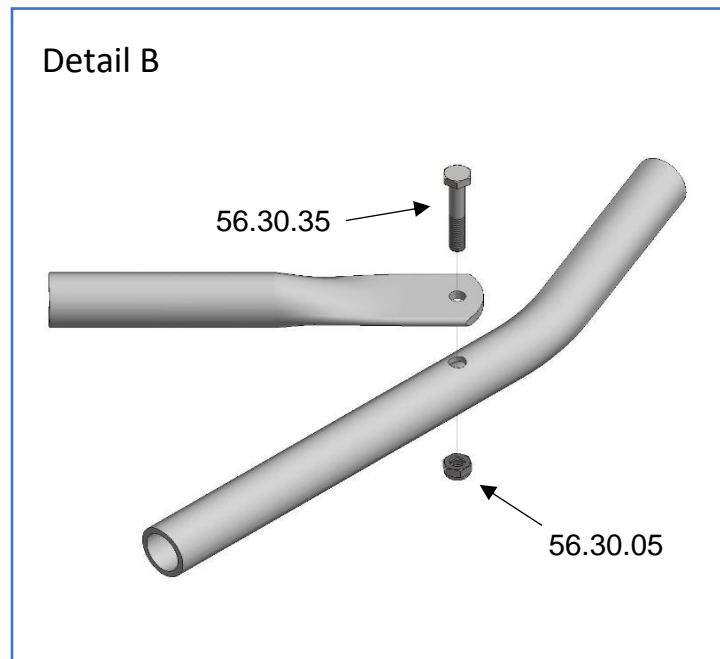
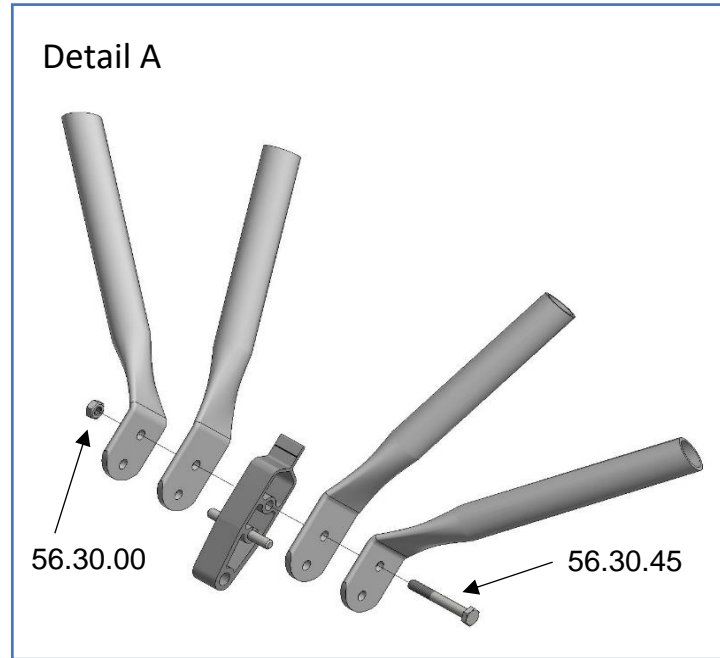
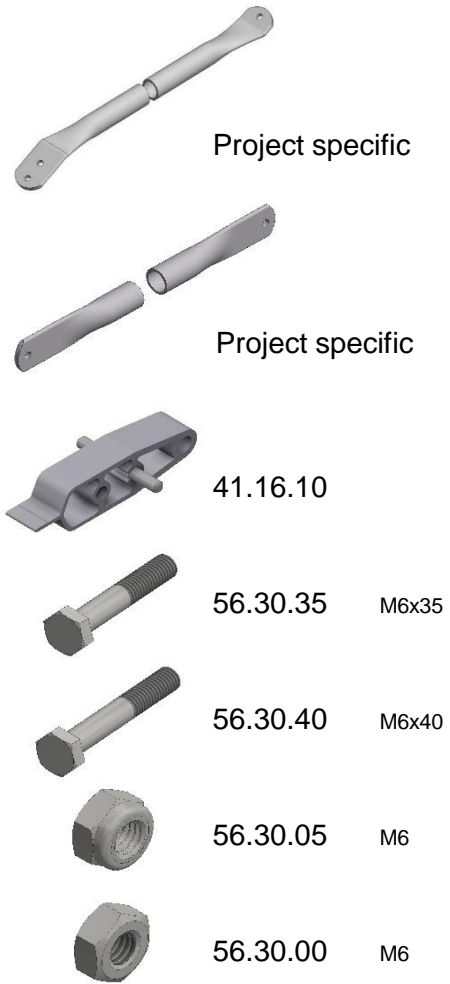
56.30.00 M6



Detail A



Note: See also the project specific drawing for the assembly of the push rod.



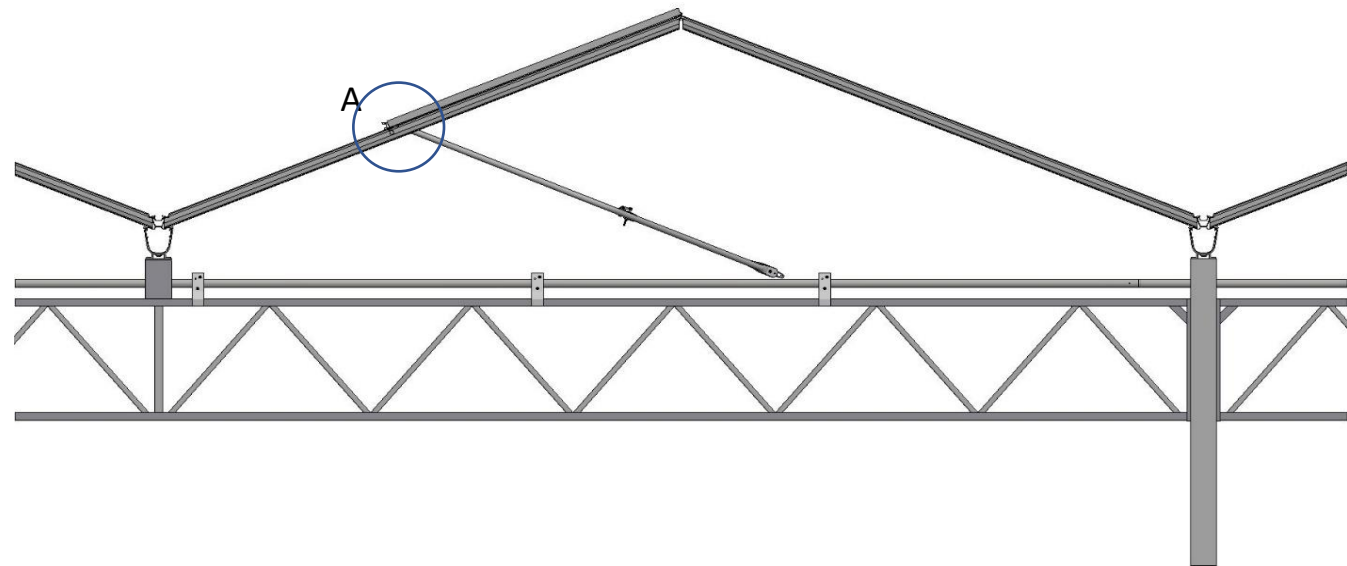
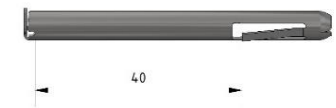
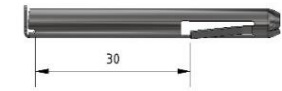
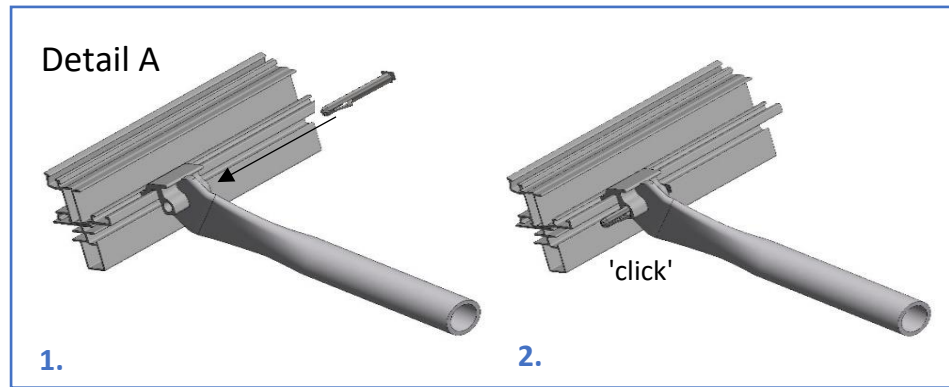
Note: See also the project specific drawing for the assembly of the push rod.



53.11.30



53.11.40



▶ Mounting of ValkStabiMax to the Clamp



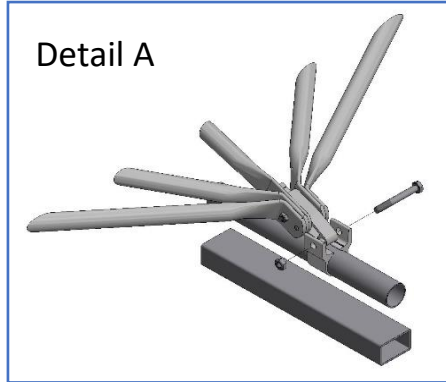
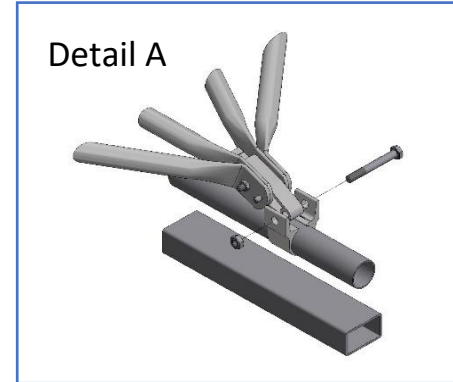
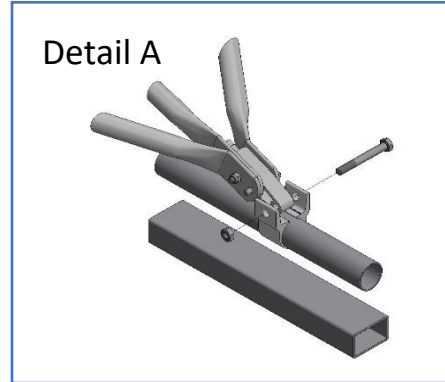
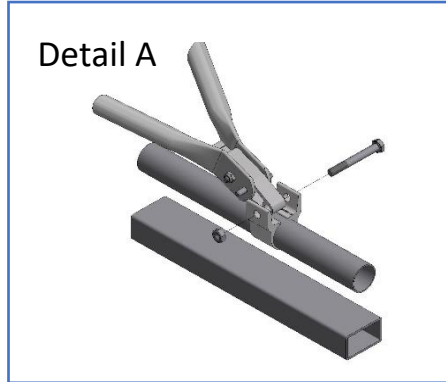
41.10.40 $\varnothing 27$
41.11.40 $\varnothing 32$



56.40.65 M8x65



56.40.00 M8



Note: Mount the head side of the bolt at the package side of the screen.

